

PREMIUM LIST



ALL BREED ASFA LURE COURSING TRIAL

Saturday April 26, 2008 and Sunday, April 27, 2008

LORAIN COUNTY KENNEL CLUB PARK

49979 State Route 511, Henrietta Township, OH
In Region VI

Early Entry Fee: \$ 15.00 per Hound (closes April 23, 2008, 9 pm, at FTS's address)
Day of Trial Entry Fee: \$20.00 per Hound (closes 8:30 am day of trial at FTS's table)

ENTRY IS LIMITED TO FIFTY HOUNDS EACH DAY AND SINGLES STAKES IS LIMITED TO FIVE HOUNDS EACH DAY. IF ENTERING ON THE DAY OF THE TRIAL, PLEASE CALL THE FTS PRIOR TO ARRIVAL TO BE CERTAIN THE TRIAL LIMIT HAS NOT BEEN REACHED.

PRACTICE & ASFA certification tests will be held Saturday, weather, time & equipment permitting after all other events are completed. \$2.00 per practice run. \$5 for ASFA Certification Test.

Permission has been granted by the American Sighthound Field Association for the holding of this event under ASFA Rules and Regulations.

Denise Como, Chairperson
ASFA Scheduling Committee

Lorain Area Racing Klub
Judy Lowther, FTS
4300 Denison Avenue
Cleveland, OH 44109

LARK Officers: President – Gayle Kytta, Vice President – Carl Morgan, Treasurer—Judy Lowther, Recording/Corresponding Secretary – Carola Beranek, ASFA Delegate – Judy Lowther Board Members-Ed McMillan, Karen Rockwell, Teri Timm-Miller

Judges (S = single judge, * = provisional judge, # = Canadian judge)

Bev Dequinze, 977 Pheasant Run, Medina, OH, 44256
 Dawn Ferris, 3435 Needham Rd., Lexington, OH, 44094
 Mike Ferris, 16631 Halston Lane, Chesterfield, MO, 63005
 Karen Rockwell, 9163 Milford Dr., Northfield, OH, 44067
 Lee Warden, 1285 Connell, Ortonville, MI, 48462

Saturday	SIN	BA	P	S	AZ	GR	IW	SD	IG	IB	W	AF	B	RR	SL	LIM
Bev D.	S					X	X				X	X	X	X	X	X
Dawn F.																
Mike F.			X					X	X		X					
Karen R.		X	X	X	X	X	X	X	X	X						
Lee W.		X		X	X					X		X	X	X	X	X

Sunday.	SIN	SL	RR	B	AF	W	IB	IG	SD	IW	GR	AZ	S	P	BA	LIM
Bev D.							X	X			X	X	X	X	X	X
Dawn F.	S	X			X		X	X	X			X	X	X	X	X
Mike F.				X		X										
Karen R.		X	X	X	X				X	X	X					
Lee W.			X			X				X						

Trial Chairperson: Gayle Kytta, 1338 Red Bush Lane, Macedonia, OH 44056, 330-338-8617
 Cell # for day of trial ONLY, please use 216-780-8835

Trial Secretary: Judy Lowther, 4300 Denison Avenue, Cleveland, OH 44109 216-402-9022 Pfyre@PfyreWhpts.com No entries accepted by email or fax per ASFA rules. Make check payable to "LARK".

If this is your dog's first ASFA trial - you must include the signed ASFA Certification or Waiver (not required for an entry in Singles). You must also include a photocopy of acceptable registry (except for NGA). Your hound must have a registration number, or your entry will NOT be accepted.

Lure Operators: Carl Morgan, Meg Willis-Redfern, Don White, Mike Ferris, Dawn Ferris, Karen Watson, Eric Watson, Gayle Kytta

Field Trial Committee: Carola Beranek, Stacey Sutphen, Paul Kytta, Ed McMillan

Awards: Ribbons –1st, blue; 2nd, red; 3rd, yellow; 4th, white; NBQ, green; BOB, purple & gold rosette; BIF, red, white & blue rosette . Saturday trophies donated by Bonnie Nichols and Sunday trophies donated by Karen Rockwell.

Trial Hours: 8:00 am until completion.

Roll Call & Inspection for all breeds: 9:00 AM Eastern Time

Late, incomplete, conditional, unsigned, unpaid entries and entries without a registration number will NOT be accepted. Entries will NOT be acknowledged by mail. Substitutes for lame or in-season hounds will be allowed if substitute has the same owner and the trial secretary is notified before the close of day-of-trial entries.

Eligibility: Only Afghan Hounds, Azawakhs, Basenjis, Borzois, Greyhounds, Ibizan Hounds, Irish Wolfhounds, Italian Greyhounds, Pharaoh Hounds, Rhodesian Ridgebacks, Salukis, Scottish Deerhounds, Sloughis & Whippets may be entered in the regular stakes. Limited & Provisional stake breeds are listed in each issue of the Field Advisory News. All entries in the regular stakes shall be individually registered with the American Kennel Club, the National Greyhound Association, the Federation Cynologique Internationale, an ASFA recognized foreign or ASFA Board approved registry, or possess a critique registration number from the Perpetuation Of the Desert Bred Salukis. Limited and/or Provisional stake entries shall be individually registered with the appropriate registry.

Regular Stakes Offered: Entry limited to 50 hounds each day.

OPEN STAKE: Any eligible sighthound who has met certification requirements, excluding ASFA Field Champions of record. A photocopy of the hound's registration must be submitted at the hound's first trial. This is waived for NGA greyhounds

FIELD CHAMPION STAKE: Any ASFA Field Champion.

VETERAN STAKE: Any eligible hound whose age exceeds six years, except Irish Wolfhounds, whose age shall exceed five years and Whippets and Rhodesian Ridgebacks whose age shall exceed seven years, who has met certification requirements. Points earned in this stake are towards the V-FCH or V-LCM titles.

LIMITED STAKE for Chart Polskis, Cirnico dell'Etnas, Galgo Espanols, Magyar Agars, Peruvian Inca Orchids & Portuguese Podengo who have met certification requirements.

SINGLES STAKE: Any eligible sighthound including novice hounds and hounds with breed disqualifications and/or hounds that have been disqualified from competition in other stakes, are eligible to enter. Not eligible for Best of Breed Competition. Entry for Singles Stake limited to 5 Hounds each day.

BEST IN FIELD will be offered on Saturday only.

All entries must not be less than one year of age on the day of the trial. Stakes will be split into flights by public random draw if the entry in any regular stake is 20 or more. Bitches in season, hounds with breed disqualifications and lame hounds will be excused. Hounds not present at the time of roll call will be scratched. Hound certification runs will be offered following the trial on Saturday.

A battery powered continuous loop lure machine will be used; backup equipment will be available. Lure will consist of highly visible plastic. There will be a \$5.00 fine for any loose hounds on the field which are not in the course in process. The club reserves the right to alter the course as required by weather and/or field condition on the day of the trial. Courses will be reversed for finals and again for BOB.

Dan Gauss of Shot On Site will be at the trials taking pictures.

FIELD ADVISORY NEWS

Jackie Nivison , Editor
4 N Howell St, Suite 200, Hillsdale, MI 49242
517-437-0404 (answers " whippet express")

US Funds or money order only, please

1st class mail: \$36.00 per year, US residents only, *paypal:* \$39.00
 1st class mail: \$68.00 for 2 years, US residents only, *paypal:* \$71.00
 1st class mail-Foreign: \$65.00 per year, Canada & Mexico, *paypal:* \$68.00
 1st class mail-Foreign: \$125.00 for 2 years, Canada & Mexico, *paypal:* \$128.00

DIRECTIONS

From South/SW: Take I-71 north past Ashland and exit at Route 301. Take Rt 301 north to Route 224. Go west on Route 224 to Route 58. Go north on Route 58 to Oberlin. In Oberlin, pick up Route 511, turn left and go west to the show site. NOTE: It might be easier to take I-69 from Indianapolis to FT. Wayne and pick up the turnpike and go east to exit 135.

From the OH turnpike: Take Exit 135, go south on Baumhart Road to Route 511 (about 5 miles). Go right on Rt 511 for one mile, the field is on the left. NOTE: Route 511 is the first stop sign/light after you pass Ohio 113 and it is NOT marked.

From Northeast: Take I-90 west through Cleveland, just past Elyria it will merge with the Ohio Turnpike. Take exit 135 and follow above directions.

From I-480 East: Take I-480 West to Route 10. Follow Route 10 and it will merge into Route 20 west. Exit at Route 511, follow Route 511 through Oberlin to show site (5 miles from city limits). NOTE: Once you get on Route 511, the signs will say you are going "south" but you will just know you are going north. Route 511 is one of those curving routes that crosses Route 20 twice. Once you are on Route 511 and through Oberlin, the first and only light/stop sign is Baumhart Road. The field is one mile past this point, on the left.

The coursing field is along side of the pavilion. **PLEASE PARK ONLY IN DESIGNATED AREAS. LARGE VEHICLES MUST PARK ON THE GRAVEL DRIVEWAYS.** Bring your own water and shade. LCKC rules do not allow alcoholic beverages on the Park grounds. Camping is allowed, no fee, but no electric hookups are available.

HOTELS

Please check all hotels for current pet policies.

Motel 6 Cleveland West - Lorain/Amherst 704 N Leavitt Rd, (at the corner of Rt 2 and Rt 58, exit 7 off Rt 2), Amherst, Ohio 44001 Approximately 12 miles from the field. Property Phone: 440-988-3266 Reservation Phone: 800-466-8356

Days Inn, 934 North Leavitt Road, (at the corner of Rt 2 and Rt 58, exit 7 off Rt 2), Amherst, Ohio 44001 Approximately 12 miles from the field. Property Phone: 440-985-1428. Reservation Phone: 800-329-7466

Field to both hotels above: Right onto Rt 511, north (left) on Baumhart Rd (first stop sign/light) to Rt 2, east (right) to Rt 58 (exit 7), north (left) to hotel entrance.

Hotels to field: Right from driveway to Rt 2, west (right) to Baumhart Rd, south (left) to Rt 511, west (right) to field. Distance 12 miles +/- . [Once you're on Baumhart Rd south, and pass the turnpike there is a red light at Rt 113, it is 4 miles to the NEXT stop sign, which is Rt 511. Rt 511 is NOT marked well] Field is on the left of Rt 511 one mile after the turn from Baumhart Rd.

There is also a shopping mall at Rt 2 and Rt 57 (approximately 5 miles farther east), with several restaurants and additional hotels. Red Roof Inn, Super 8, Days Inn, Best Western, etc.

Emergency Vet Information

Animal Clinic Northview, North Ridgeville, OH (440) 327-8282

SEE FTS FOR DIRECTIONS

**AMERICAN SIGHTHOUND FIELD ASSOCIATION
HOUND CERTIFICATION**

Rule effective October 1, 1994: Ch. V, Sec. 4 (a) OPEN STAKE: *To be eligible to enter the open stake, a hound must have been certified by a licensed judge within the year preceding the closing date for the entry or have previously competed in the Open Stake.* This eligibility requirement also applies to a hound entered in the Limited or Veteran Stake, which has not competed in Open previously. Please complete this portion of this form and attach it to the entry form for the hound's first entry, including an entry for a Fun Trial.

Registered Name of Hound: _____

Registration Number: _____ Breed: _____

Registered Owner's Name: _____

I hereby certify that on (date) _____, the above named hound completed a lure course of at least 500 yards, running with another hound of the same breed (or another breed with a similar running style). During the course the above named hound showed no inclination to interfere with the other hound. I further certify that I am a licensed judge for the ASFA.

Name of Licensed Judge: _____

Signature: _____ Date: _____

I hereby certify that the hound running in the certification course is the hound identified above and that information provided on this form is true and correct.

Signature: _____ Date: _____

Owner or Authorized Agent of Hound

This certification form must be attached to the entry form the first time this hound is entered in an open, limited, or veteran stake. Any hound entered in open, limited, or veteran (as a first time entered hound), which has not been certified, shall be declared ineligible by the records coordinator and shall forfeit any points and placements awarded.

PLEASE RETAIN A COPY FOR YOUR RECORDS.

**AMERICAN SIGHTHOUND FIELD ASSOCIATION
HOUND CERTIFICATION WAIVER**

Waiver of Requirement: *This requirement will be waived for a hound that has earned a lure coursing or racing title from another recognized organization, if such title requires competition, and if a waiver for such title has been approved by the ASFA, or a CKC Hound Certification Form.* If your hound qualifies for a waiver, complete this portion of this form and attach it to your entry form. Proof of waivers must accompany this certification form.

Registered Name of Hound: _____

Registration Number: _____ Breed: _____

Registered Owner's Name: _____

CKC: FCH FCHX CWA: ARX TRP SRA DPC

AKC: FC SC LGRA: GRC NAWRA: RCH SRE

WRA: CR WRCH NOTRA: ORC OTR SORC SOR

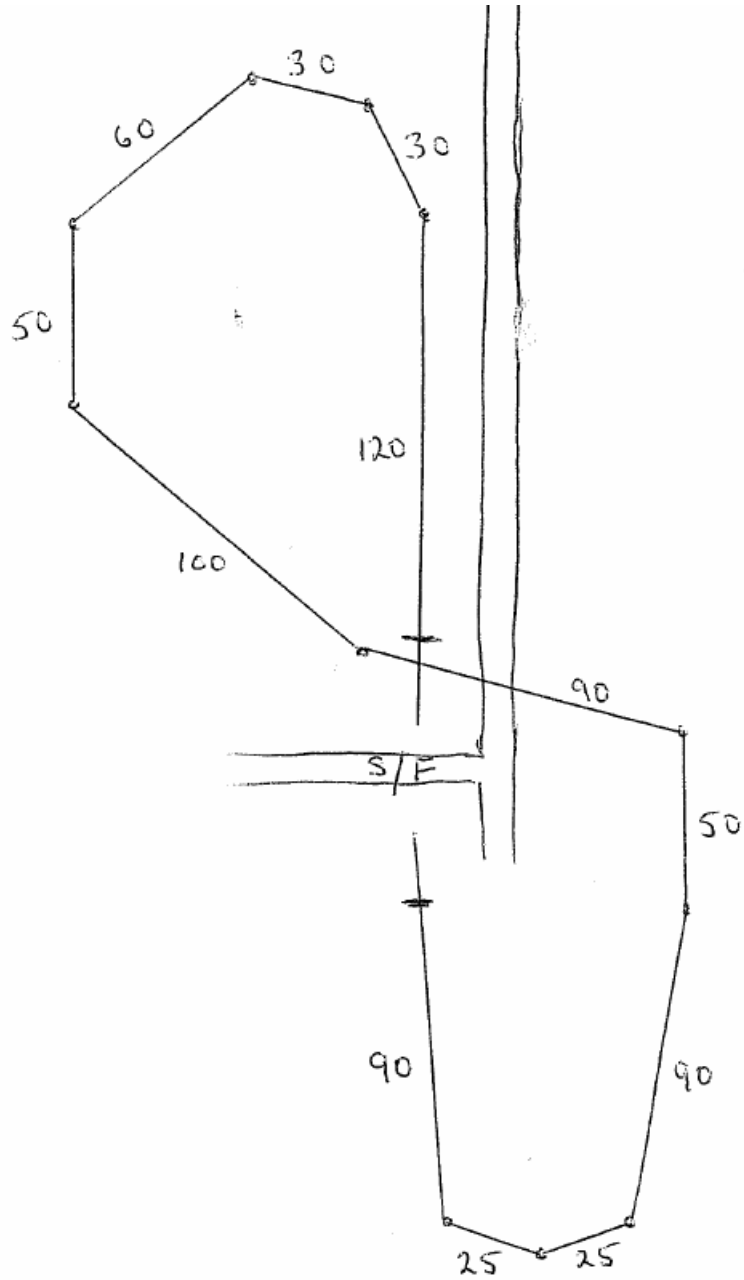
Hound Certification previously submitted.

I hereby certify that the hound identified above has completed the requirements for the title indicated above (or that the required Certification was previously submitted) and that the information provided on this form is true and correct.

Signature: _____ Date: _____

Owner or Authorized Agent of Hound

Saturday Course Plan
760 yards



Sunday Course Plan
625 yards

