

.....**DIRECTIONS**.....

From South/SW: Take I-71 north past Ashland and exit at Route 301. Take Rt 301 north to Route 224. Go west on Route 224 to Route 58. Go north on Route 58 to Oberlin. In Oberlin, pick up Route 511, turn left and go west to the show site. NOTE: It might be easier to take I-69 from Indianapolis to FT. Wayne and pick up the turnpike and go east to exit 135.

From the OH turnpike: Take Exit 135 , go south on Baumhart Road to Route 511 (about 5 miles). Go right on Rt 511 for one mile, the field is on the left. NOTE: Route 511 is the first stop sign/light after you pass Ohio 113 and it is NOT marked.

From Northeast: Take I-90 west through Cleveland, just past Elyria it will merge with the Ohio Turnpike. Take exit 135 and follow above directions.

From I-480 East: Take I-480 West to Route 10. Follow Route 10 and it will merge into Route 20 west. Exit at Route 511, follow Route 511 through Oberlin to show site (5 miles from city limits). NOTE: Once you get on Route 511, the signs will say you are going "south" but you will just know you are going north. Route 511 is one of those curving routes that crosses Route 20 twice. Once you are on Route 511 and through Oberlin, the first and only light/stop sign is Baumhart Road. The field is one mile past this point, on the left.

The coursing field is along side of the pavilion. Bring your own water and shade. LCKC rules do not allow alcoholic beverages on the grounds. **PLEASE PARK ONLY IN DESIGNATED AREAS. LARGE VEHICLES MUST PARK ON THE GRAVEL DRIVEWAYS. TRAILORS AND MOTORHOMES ARE SUBJECT TO AN ADDITIONAL \$10 PARKING FEE.** Please include your parking fee with your entry fee and include a note to let the FTS know you are bringing a trailer or motor home. Overnight camping is allowed, but no electric hookups are available.

.....**HOTELS**.....

Please check all hotels for current pet policies.

Motel 6 Cleveland West - Lorain/Amherst 704 N Leavitt Rd, (at the corner of Rt 2 and Rt 58, exit 7 off Rt 2), Amherst, Ohio 44001 Approximately 12 miles from the field.
Property Phone: 440-988-3266 Reservation Phone: 800-466-8356

Days Inn, 934 North Leavitt Road, (at the corner of Rt 2 and Rt 58, exit 7 off Rt 2), Amherst, Ohio 44001 Approximately 12 miles from the field. Property Phone: 440-985-1428. Reservation Phone: 800-329-7466

Field to both hotels above: Right onto Rt 511, north (left) on Baumhart Rd (first stop sign/light) to Rt 2, east (right) to Rt 58 (exit 7), north (left) to hotel entrance.

Hotels to field: Right from driveway to Rt 2, west (right) to Baumhart Rd, south (left) to Rt 511, west (right) to field. Distance 12 miles +/- . [Once you're on Baumhart Rd south, and pass the turnpike there is a red light at Rt 113, it is 4 miles to the NEXT stop sign, which is Rt 511. Rt 511 is NOT marked well] Field is on the left of Rt 511 one mile after the turn from Baumhart Rd.

There is also a shopping mall at Rt 2 and Rt 57 (approximately 5 miles farther east), with several restaurants and additional hotels. Red Roof Inn, Super 8, Days Inn, Best Western, etc.

.....**Emergency Vet Information**.....

Animal Clinic Northview, North Ridgeville, OH (440) 327-8282

.....SEE FTS FOR DIRECTIONS.....

TWO DAY PREMIUM LIST



ALL BREED ASFA LURE COURSING TRIAL

Saturday Sept 24, 2011 and Sunday Sept 25, 2011

LORAIN COUNTY KENNEL CLUB PARK

49979 State Route 511,
Henrietta Township, OH
In Region VI

Early Entry Fee: \$ 18.00 for the first hound, \$15.00 for each additional hound in the same household (closes Sept 21, 2011, 9 pm at FTS's address)
Day of Trial Entry Fee: \$20.00 per Hound (closes 8:00 am day of trial at FTS's table)
A fee will be charged for any returned check. .
Best In Field offered on Saturday only.

ASFA certification runs will be held only on Saturday, weather, time & equipment permitting after all other events are completed. ASFA Hound Certification runs \$10. Practice will not be offered either day.

Permission has been granted by the American Sighthound Field Association for the holding of this event under ASFA Rules and Regulations.

Denise Como, Chairperson
ASFA Scheduling Committee
Approved 8/10/2011.

LARK Officers: President - Carl Morgan, Vice President - Ed McMillan
 Treasurer - Judy Lowther, Recording/Corresponding Secretary - Carola Beranek,
 Board Members- Karen Rockwell, Jen Timm-Miller, Dawn Borkowski
 ASFA Delegate - Judy Lowther

Trial Chairperson: Paul Kytta II, 1338 Red Bush Lane, Macedonia, Ohio 44056
 Cell: 330-348-9372 E-mail: kytta@roadrunner.com

Trial Secretary: Judy Lowther, 4300 Denison Ave., Cleveland, OH, 44109
 Cell: 216-402-9022 E-Mail: Pfyre@pfyrehwpts.com

No entries accepted by e-mail or fax per ASFA rules. Make check payable to "LARK".

Judges and Assignments (P = provisional judge, # = Canadian judge)

Bev DeQuinze, 977 Pheasant Run, Medina, OH 44256
 Don Ewing, 370 Bolinger Rd., Littlestown, PA 17340
 Jeff Lipps, 3052 Mann Rd., Blacklick, OH 43004
 Don White (P), 5599 Grove City Rd., Grove City, O, 43123

Saturday	AF	AZ	BA	B	CD	G	IB	IW	IG	P	RR	SD	S	SL	W	Sin	Ltd
Bev D.	X	X	X		X								X		X	X	X
Don E.	X	X	X		X	X					X	X					
Jeff L.				X		X	X	X	X	X				X			X
Don W.				P							P		P		P		

Sunday	AF	AZ	BA	B	CD	G	IB	IW	IG	P	RR	SD	S	SL	W	Sin	Ltd
Bev D.							X	X	X	X		X		X			
Don E.	X	X	X	X	X								X			X	X
Jeff L.	X	X	X		X	X					X				X		X
Don W.				P							P		P		P		

Running orders will be set on the day of the trials.

Lure Operators: Carl Morgan, Gayle Kytta, Karen Watson, Eric Watson, Joe Shoemaker, Don White, Jeff Lipps and Meg Willis-Redfern.

Field Trial Committee: Carola Beranek, Ed McMillan, Karen Rockwell

Awards: Ribbons –1st, blue; 2nd, red; 3rd, yellow; 4th, white; NBQ, green; BOB, purple & gold rosette and a prize. BIF, red, white & blue rosette.

Trial Hours: 7:30 am until completion.

Roll Call & Inspection for all breeds: 8:30 AM Eastern Time. Worker's dogs may be roll-called early.

Late, incomplete, conditional, unsigned, unpaid entries and entries without a registration number will NOT be accepted. Entries will NOT be acknowledged by mail. Substitutes for lame or in-season hounds will be allowed if substitute has the same owner and the trial secretary is notified before the close of day-of-trial entries.

If this is your dog's first ASFA trial - you must include the signed ASFA Certification or Waiver (not required for an entry in Singles). You must also include a photocopy of acceptable registry (except for NGA). Your hound must have a registration number, or your entry will NOT be accepted.

Breeds & Eligibility: Only purebred Afghan Hounds, Azawakhs, Basenjis, Borzoi, Cirnecho dell'Etna, Greyhounds, Ibizan Hounds, Irish Wolfhounds, Italian Greyhounds, Pharaoh Hounds, Rhodesian Ridgebacks, Salukis, Scottish Deerhounds, Sloughis, Whippets, provisional breeds, if any, may be entered in the regular stakes. Limited stake breeds, if any, may be entered in Limited Stake. Limited breeds currently include purebred Chart Polskis, Galgo Españols, Magyar Agars, Peruvian Inca Orchids, Portuguese Podengos and Silken Windhounds.

All entries in the regular stakes shall be individually registered with the American Kennel Club, the United Kennel Club, the National Greyhound Association, the Federation Cynologique Internationale, an ASFA-recognized foreign or ASFA Board approved registry, or possess a Critique Registration Number (CRN) from the Society for the Perpetuation of Desert Bred Salukis (SPDBS). Limited and/or Provisional stake entries shall be individually registered with the appropriate registry. A photocopy of acceptable registry must be submitted with a hound's first ASFA field trial entry; this requirement is waived for hounds registered with the National Greyhound Registry.

Regular Stakes Offered:

OPEN STAKE: Any eligible sighthound who has met certification requirements, excluding ASFA Field Champions of record. A photocopy of the hound's registration must be submitted at the hound's first trial. This is waived for NGA greyhounds.

FIELD CHAMPION STAKE: Any ASFA Field Champion.

VETERAN STAKE: Any eligible hound whose age exceeds six years, except Irish Wolfhounds, whose age shall exceed five years and Whippets, Rhodesian Ridgebacks and Afghan Hounds whose age shall exceed seven years, who has met certification requirements. Points earned in this stake are towards the V-FCH or V-LCM titles.

LIMITED STAKE for Chart Polskis, Galgo Espanols, Magyar Agars, Peruvian Inca Orchids, Portuguese Podengo & Silken Windhounds who have met certification requirements.

SINGLES STAKE: Any eligible sighthound including novice hounds and hounds with breed disqualifications and/or hounds that have been disqualified from competition in other stakes, are eligible to enter. Not eligible for Best of Breed Competition. Entry for Singles Stake limited to 6 Hounds each day.

BEST IN FIELD will be offered on Saturday only.

Conditions of Entry: All entries must be one year or older on the day of the trial. If the entry in any regular stake is 20 or more, the stakes will be split into flights by public random draw Bitches in season, lame hounds and hounds with breed disqualifications will be excused at roll call. Spayed, neutered, monorchid or cryptorchid hounds without breed disqualifications may be entered; hounds with breed disqualifications are not eligible to enter except in the Single Stake. Hounds not present at the time of roll call will be scratched. All hounds will run twice, in trios if possible or braces (except in the Single Stake), unless excused, dismissed or disqualified. Hound certification runs will be offered after completion of the trial on Saturday.

There will be a \$5.00 fine for any loose hounds on the field that are not in the course in progress.

This trial is being dedicated to the memory of Bonnie Nichols. Bonnie was an original member of LARK and a long time breeder of Borzoi. We will be holding a 50/50 raffle from which the proceeds will go to assist with the care and placement of Bonnie's dogs.

Bonnie will be missed greatly.

OFFICIAL AMERICAN SIGHTHOUND FIELD ASSOCIATION ENTRY FORM

Lorain Area Racing Klub Saturday, Sept 24, 2011

Entry Fees: Early entry \$18.00 for the first hound, \$15.00 for each additional hound in the same household (closes Sept 21, 2011, 9 pm at FTS's address) Day of trial entries \$20.00 per hound

Make check payable to LARK and mail to:

Judy Lowther, LARK FTS
4300 Denison Avenue
Cleveland, Ohio 44109

Fee Paid _____ The Field Secretary cannot accept conditional, unsigned, incomplete or unpaid entries; please check your completed entry carefully.

Breed:	Call Name:		
Registered Name of Hound:			
Stake: <input type="checkbox"/> Open <input type="checkbox"/> FCH <input type="checkbox"/> Veteran <input type="checkbox"/> Single <input type="checkbox"/> Limited		Additional Stakes: <input type="checkbox"/> Kennel <input type="checkbox"/> Breeder <input type="checkbox"/> Bench	
Registration Number: (circle one) AKC Reg. # AKC ILP/PAL#: NGA #: Critique Registration #: Foreign Reg. # & Country: Pending: UKC Reg. #			
<input type="checkbox"/> If possible, please separate my hounds	Date of Birth:	Sex: <input type="checkbox"/> Dog <input type="checkbox"/> Bitch	
Name of actual owner(s):			
Address:		Phone:	
City:	State:	Zip:	
E-mail (Optional)		(Optional) Region of Residence:	
<input type="checkbox"/> Check if this is the first ASFA trial for this hound. Attach a Hound Certification or waiver if entered in Open, Veterans, Limited.			
<input type="checkbox"/> Check if this is a first-time entry, a copy of the official Registration of this hound must accompany this entry unless NGA.			
<input type="checkbox"/> Check if any information has changed since the last ASFA trial entry. Regarding _____			
<input type="checkbox"/> Check if this hound has been dismissed within the last 6 trials entered. Must be marked in order to qualify for a "clean" trial requirement.			

I CERTIFY that I am the actual owner of this dog, or that I am the duly authorized agent of the actual owner whose name I have entered above. In consideration of the acceptance of this entry and the opportunity to have this dog judged and to win prize money, ribbons, or trophies, I (we) agree to abide by the rules and regulations of the American Sighthound Field Association in effect at the time of this lure field trial, and by any additional rules and regulations appearing in the premium list for this lure field trial. I (we) agree that the club holding this lure field trial has the right to refuse this entry for cause, which the club shall deem to be sufficient. I (we) agree to hold this club, its members, directors, governors, officers, agents or other functionaries, any employees of the aforementioned parties and the owner(s) of the trial premises or grounds harmless from any claim for loss or injury which may be alleged to have been caused directly or indirectly to any person or thing by the act of this dog while in or upon the lure field trial premises or grounds or near any entrance thereto and I (we) personally assume all responsibility and liability for any such claim, and I (we) further agree to hold the aforementioned parties harmless from any claim loss of this dog by disappearance, theft damage or injury be caused or alleged to be caused by the negligence of the club or any of the aforementioned parties or by the negligence of any person or any other cause or causes. I (we) certify and represent that the dog entered is not a hazard to person or other dogs. This entry is submitted for acceptance of the forgoing representations and agreements

SIGNATURE of owner or his agent
duly authorized to make this entry _____

OFFICIAL AMERICAN SIGHTHOUND FIELD ASSOCIATION ENTRY FORM

Lorain Area Racing Klub Sunday, Sept 25, 2011

Entry Fees: Early entry \$18.00 for the first hound, \$15.00 for each additional hound in the same household (closes Sep 21, 2011, 9 pm at FTS's address) Day of trial entries \$20.00 per hound

Make check payable to LARK and mail to:

Judy Lowther, LARK FTS
4300 Denison Avenue
Cleveland, Ohio 44109

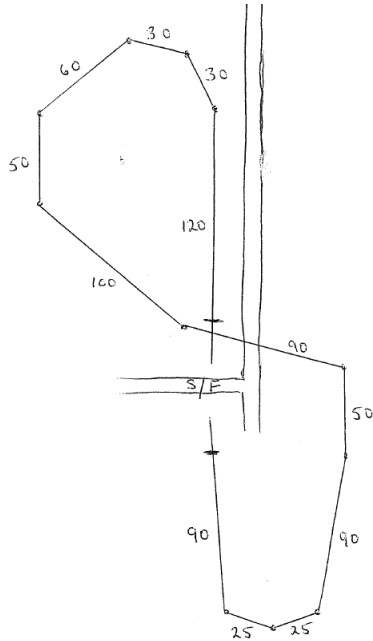
Fee Paid _____ The Field Secretary cannot accept conditional, unsigned, incomplete or unpaid entries; please check your completed entry carefully.

Breed:	Call Name:		
Registered Name of Hound:			
Stake: <input type="checkbox"/> Open <input type="checkbox"/> FCH <input type="checkbox"/> Veteran <input type="checkbox"/> Single <input type="checkbox"/> Limited		Additional Stakes: <input type="checkbox"/> Kennel <input type="checkbox"/> Breeder <input type="checkbox"/> Bench	
Registration Number: (circle one) AKC Reg. # AKC ILP/PAL#: NGA #: Critique Registration #: Foreign Reg. # & Country: Pending: UKC Reg. #			
<input type="checkbox"/> If possible, please separate my hounds	Date of Birth:	Sex: <input type="checkbox"/> Dog <input type="checkbox"/> Bitch	
Name of actual owner(s):			
Address:		Phone:	
City:	State:	Zip:	
E-mail (Optional)		(Optional) Region of Residence:	
<input type="checkbox"/> Check if this is the first ASFA trial for this hound. Attach a Hound Certification or waiver if entered in Open, Veterans, Limited.			
<input type="checkbox"/> Check if this is a first-time entry, a copy of the official Registration of this hound must accompany this entry unless NGA.			
<input type="checkbox"/> Check if any information has changed since the last ASFA trial entry. Regarding _____			
<input type="checkbox"/> Check if this hound has been dismissed within the last 6 trials entered. Must be marked in order to qualify for a "clean" trial requirement.			

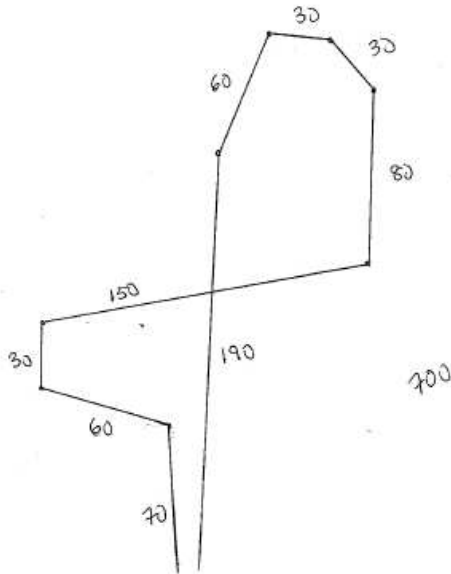
I CERTIFY that I am the actual owner of this dog, or that I am the duly authorized agent of the actual owner whose name I have entered above. In consideration of the acceptance of this entry and the opportunity to have this dog judged and to win prize money, ribbons, or trophies, I (we) agree to abide by the rules and regulations of the American Sighthound Field Association in effect at the time of this lure field trial, and by any additional rules and regulations appearing in the premium list for this lure field trial. I (we) agree that the club holding this lure field trial has the right to refuse this entry for cause, which the club shall deem to be sufficient. I (we) agree to hold this club, its members, directors, governors, officers, agents or other functionaries, any employees of the aforementioned parties and the owner(s) of the trial premises or grounds harmless from any claim for loss or injury which may be alleged to have been caused directly or indirectly to any person or thing by the act of this dog while in or upon the lure field trial premises or grounds or near any entrance thereto and I (we) personally assume all responsibility and liability for any such claim, and I (we) further agree to hold the aforementioned parties harmless from any claim loss of this dog by disappearance, theft damage or injury be caused or alleged to be caused by the negligence of the club or any of the aforementioned parties or by the negligence of any person or any other cause or causes. I (we) certify and represent that the dog entered is not a hazard to person or other dogs. This entry is submitted for acceptance of the forgoing representations and agreements

SIGNATURE of owner or his agent
duly authorized to make this entry _____

**Saturday
Course Plan
760 yards**



**Sunday
Course Plan
700 yards**



A battery powered CONTINUOUS LOOP lure machine will be used; backup equipment will be available. Lure will consist of highly visible plastic. The club reserves the right to alter the course as required by weather and/or field condition on the day of the trial. Courses will be reversed for finals and again for BOB. The field is not fenced, but the course is well away from the main road.

**AMERICAN SIGHTHOUND FIELD ASSOCIATION
HOUND CERTIFICATION**

Rule effective October 1, 1994: Ch. V, Sec. 4 (a) OPEN STAKE: To be eligible to enter the open stake, a hound must have been certified by a licensed judge within the year preceding the closing date for the entry or have previously competed in the Open Stake. This eligibility requirement also applies to a hound entered in the Limited or Veteran Stake, which has not competed in Open previously. Please complete this portion of this form and attach it to the entry form for the hound's first entry, including an entry for a Fun Trial.

Registered Name of Hound: _____

Registration Number: _____ Breed: _____

Registered Owner's Name: _____

I hereby certify that on (date) _____, the above named hound completed a lure course of at least 500 yards, running with another hound of the same breed (or another breed with a similar running style). During the course the above named hound showed no inclination to interfere with the other hound. I further certify that I am a licensed judge for the ASFA.

Name of Licensed Judge: _____

Signature: _____ Date: _____

I hereby certify that the hound running in the certification course is the hound identified above and that information provided on this form is true and correct.

Signature: _____ Date: _____

Owner or Authorized Agent of Hound

This certification form must be attached to the entry form the first time this hound is entered in an open, limited, or veteran stake. Any hound entered in open, limited, or veteran (as a first time entered hound), which has not been certified, shall be declared ineligible by the records coordinator and shall forfeit any points and placements awarded.

PLEASE RETAIN A COPY FOR YOUR RECORDS.

**AMERICAN SIGHTHOUND FIELD ASSOCIATION
HOUND CERTIFICATION WAIVER**

Waiver of Requirement: This requirement will be waived for a hound that has earned a lure coursing or racing title from another recognized organization, if such title requires competition, and if a waiver for such title has been approved by the ASFA, or a CKC Hound Certification Form. If your hound qualifies for a waiver, complete this portion of this form and attach it to your entry form. Proof of waivers must accompany this certification form.

Registered Name of Hound: _____

Registration Number: _____ Breed: _____

Registered Owner's Name: _____

CKC: FCH FCHX **CWA:** ARX TRP SRA DPC

AKC: QC FC SC **LGRA:** GRC **NAWRA:** RCH SRE

WRA: CR WRCH **NOTRA:** ORC OTR SORC SOR

Hound Certification previously submitted.

I hereby certify that the hound identified above has completed the requirements for the title indicated above (or that the required Certification was previously submitted) and that the information provided on this form is true and correct.

Signature: _____ Date: _____

Owner or Authorized Agent of Hound